

Fabric Laying And Cutting Machine

HSTC-MF-86



HSTC-MF-86- This Product is suitable for use as a multifunction label cutting and folding machine. Every part of the machine has been modified to make it simple and convenient to use.

- A. Different label folding operation can be changed by just changing the molds. A single person will be sufficient to handle the easy and simple installation
- B. This mold is easy to operate and has superb performance. It is designed especially for use with soft labels and for its smooth operation.

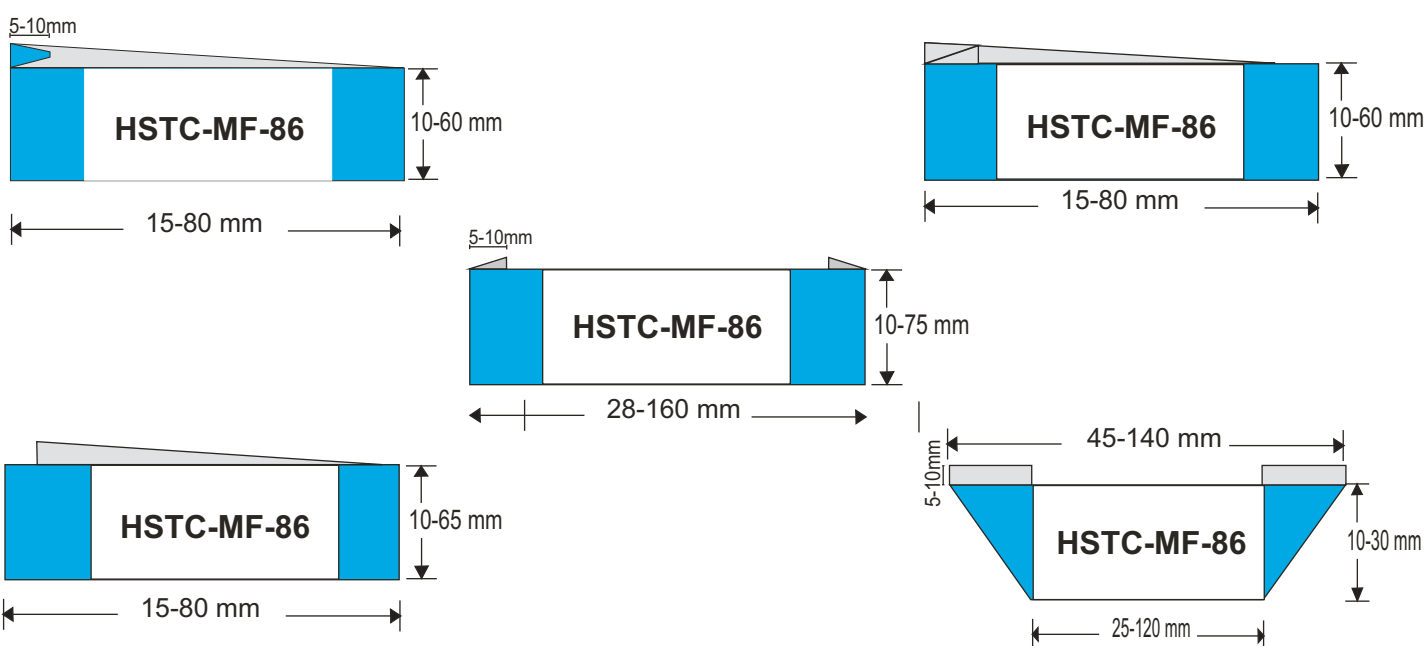
The most distinctive feature is the patented label length adjustment mechanism,



Fabric Laying And Cutting Machine

HSTC-MF-86

SPECIFICATIONS



Dimension

1300 L x 1500 W x 1500 H mm

Weight

620 KG

Power

220 V /110 V AC

HONG KONG SHANGHAI TRADING COMPANY

Block D, Flat D8, 7th Floor, 36-44,
Nathan Road, TST, Kowloon, HongKong
Tel. :- +852-98324807, 68509886. Fax. :- +852-23683344
Email Id :- info@hstchk.com
Web:- www.hstchk.com

Trust

Dependability

Service